

| CATALOG NUMBER | FIG. NO. | CABLE RANGE RUN 'A' | | | | CABLE RANGE TAP 'AA' | | | | DIMENSIONS IN INCHES | | | | | |
|----------------|----------|---------------------|------------|------------------------|------------------------|----------------------|------------|------------------------|------------------------|----------------------|-------|--------|--------|---------|--------|
| | | ALUM. OR CU. | | ACSR | | ALUM. OR CU. | | ACSR | | B | BB | H | J | L | W |
| | | MIN. | MAX. | MIN. | MAX. | MIN. | MAX. | MIN. | MAX. | | | | | | |
| NNTR25A25A | 2 | #4 STR | 1/0 STR | #4 (6/1 STR) | 1/0 (6/1 STR) | #4 STR | 1/0 STR | #4 (6/1 STR) | 1/0 (6/1 STR) | 1-7/8 | 1-7/8 | 2-5/16 | 1/2-13 | 4-1/2 | 2-5/16 |
| NNTR29A25A | 2 | 1/0 STR | 250 kcmil | 1/0 (6/1 STR) | 4/0 (6/1 STR) | #4 STR | 1/0 STR | #4 (6/1 STR) | 1/0 (6/1 STR) | 1-7/8 | 1-7/8 | 2-9/16 | 1/2-13 | 4-11/16 | 2-5/16 |
| NNTR29A29A | 1 | 1/0 STR | 250 kcmil | 1/0 (6/1 STR) | 4/0 (6/1 STR) | 1/0 STR | 250 kcmil | 1/0 (6/1 STR) | 4/0 (6/1 STR) | 2-3/4 | 2-3/4 | 2-9/16 | 1/2-13 | 5-9/16 | 2-1/2 |
| NNTR32A25A | 2 | 250 kcmil | 400 kcmil | 4/0 (6/1 STR) | 397.5 kcmil (18/1 STR) | #4 STR | 1/0 STR | #4 (6/1 STR) | 1/0 (6/1 STR) | 1-7/8 | 1-7/8 | 2-9/16 | 1/2-13 | 4-13/16 | 2-5/16 |
| NNTR32A29A | 1 | 250 kcmil | 400 kcmil | 4/0 (6/1 STR) | 397.5 kcmil (18/1 STR) | 1/0 STR | 250 kcmil | 1/0 (6/1 STR) | 4/0 (6/1 STR) | 3 | 2-3/4 | 2-9/16 | 1/2-13 | 5-11/16 | 2-1/2 |
| NNTR32A32A | 1 | 250 kcmil | 400 kcmil | 4/0 (6/1 STR) | 397.5 kcmil (18/1 STR) | 250 kcmil | 400 kcmil | 4/0 (6/1 STR) | 397.5 kcmil (18/1 STR) | 3 | 3 | 2-9/16 | 1/2-13 | 5-15/16 | 2-5/8 |
| NNTR36A25A | 2 | 350 kcmil | 600 kcmil | 336.4 kcmil (18/1 STR) | 477 kcmil (30/7 STR) | #4 STR | 1/0 STR | #4 (6/1 STR) | 1/0 (6/1 STR) | 1-7/8 | 1-7/8 | 2-9/16 | 1/2-13 | 4-15/16 | 2-5/16 |
| NNTR36A29A | 1 | 350 kcmil | 600 kcmil | 336.4 kcmil (18/1 STR) | 477 kcmil (30/7 STR) | 1/0 STR | 250 kcmil | 1/0 (6/1 STR) | 4/0 (6/1 STR) | 3-1/4 | 2-3/4 | 2-9/16 | 1/2-13 | 5-13/16 | 2-1/2 |
| NNTR36A32A | 1 | 350 kcmil | 600 kcmil | 336.4 kcmil (18/1 STR) | 477 kcmil (30/7 STR) | 250 kcmil | 400 kcmil | 4/0 (6/1 STR) | 397.5 kcmil (18/1 STR) | 3-1/4 | 3 | 2-9/16 | 1/2-13 | 6-1/16 | 2-5/8 |
| NNTR36A36A | 1 | 350 kcmil | 600 kcmil | 336.4 kcmil (18/1 STR) | 477 kcmil (30/7 STR) | 350 kcmil | 600 kcmil | 336.4 kcmil (18/1 STR) | 477 kcmil (30/7 STR) | 3-1/4 | 3-1/4 | 2-9/16 | 1/2-13 | 6-5/16 | 2-3/4 |
| NNTR42A25A | 2 | 600 kcmil | 900 kcmil | 477 kcmil (30/7 STR) | 795 kcmil (54/7 STR) | #4 STR | 1/0 STR | #4 (6/1 STR) | 1/0 (6/1 STR) | 1-7/8 | 1-7/8 | 3-1/8 | 1/2-13 | 5-1/4 | 2-5/16 |
| NNTR42A29A | 1 | 600 kcmil | 900 kcmil | 477 kcmil (30/7 STR) | 795 kcmil (54/7 STR) | 1/0 STR | 250 kcmil | 1/0 (6/1 STR) | 4/0 (6/1 STR) | 3-1/2 | 2-3/4 | 3-1/8 | 1/2-13 | 6-1/8 | 2-1/2 |
| NNTR42A32A | 1 | 600 kcmil | 900 kcmil | 477 kcmil (30/7 STR) | 795 kcmil (54/7 STR) | 250 kcmil | 400 kcmil | 4/0 (6/1 STR) | 397.5 kcmil (18/1 STR) | 3-1/2 | 3 | 3-1/8 | 1/2-13 | 6-3/8 | 2-5/8 |
| NNTR42A36A | 1 | 600 kcmil | 900 kcmil | 477 kcmil (30/7 STR) | 795 kcmil (54/7 STR) | 350 kcmil | 600 kcmil | 336.4 kcmil (18/1 STR) | 477 kcmil (30/7 STR) | 3-1/2 | 3-1/4 | 3-1/8 | 1/2-13 | 6-5/8 | 2-3/4 |
| NNTR42A42A | 1 | 600 kcmil | 900 kcmil | 477 kcmil (30/7 STR) | 795 kcmil (54/7 STR) | 600 kcmil | 900 kcmil | 477 kcmil (30/7 STR) | 795 kcmil (54/7 STR) | 3-1/2 | 3-1/2 | 3-1/8 | 1/2-13 | 6-7/8 | 3 |
| NNTR45A25A | 1 | 900 kcmil | 1250 kcmil | 715 kcmil (30/19 STR) | 1113 kcmil (54/19 STR) | 1/0 STR | 250 kcmil | 1/0 (6/1 STR) | 4/0 (6/1 STR) | 3-3/4 | 2-3/4 | 3-1/4 | 1/2-13 | 5-5/8 | 2-1/2 |
| NNTR45A29A | 1 | 900 kcmil | 1250 kcmil | 715 kcmil (30/19 STR) | 1113 kcmil (54/19 STR) | 1/0 STR | 250 kcmil | 1/0 (6/1 STR) | 4/0 (6/1 STR) | 3-3/4 | 2-3/4 | 3-1/4 | 1/2-13 | 6-3/16 | 2-1/2 |
| NNTR45A32A | 1 | 900 kcmil | 1250 kcmil | 715 kcmil (30/19 STR) | 1113 kcmil (54/19 STR) | 250 kcmil | 400 kcmil | 4/0 (6/1 STR) | 397.5 kcmil (18/1 STR) | 3-3/4 | 3 | 3-1/4 | 1/2-13 | 6-9/16 | 2-5/8 |
| NNTR45A36A | 1 | 900 kcmil | 1250 kcmil | 715 kcmil (30/19 STR) | 1113 kcmil (54/19 STR) | 350 kcmil | 600 kcmil | 336.4 kcmil (18/1 STR) | 477 kcmil (30/7 STR) | 3-3/4 | 3-1/4 | 3-1/4 | 1/2-13 | 6-13/16 | 2-3/4 |
| NNTR45A42A | 1 | 900 kcmil | 1250 kcmil | 715 kcmil (30/19 STR) | 1113 kcmil (54/19 STR) | 600 kcmil | 900 kcmil | 477 kcmil (30/7 STR) | 795 kcmil (54/7 STR) | 3-3/4 | 3-1/2 | 3-1/4 | 1/2-13 | 7-1/16 | 3 |
| NNTR45A45A | 1 | 900 kcmil | 1250 kcmil | 715 kcmil (30/19 STR) | 1113 kcmil (54/19 STR) | 900 kcmil | 1250 kcmil | 715 kcmil (30/19 STR) | 1113 kcmil (54/19 STR) | 3-3/4 | 3-3/4 | 3-1/4 | 1/2-13 | 7-5/16 | 3-3/16 |

| REV. | DATE | DESCRIPTION | ECO | BY | C'K'D. |
|------|-----------|-------------------------|-------|-----|--------|
| D | 3/17/2015 | ADD SSDN HARDWARE NOTES | 39315 | SVY | NJ |

AN UNPLATED CLAMP-TYPE TEE CONNECTOR WHICH ACCOMMODATES A BROAD RANGE OF ALUM., ACSR OR COPPER CABLE. CONTAINS HIGH STRENGTH ALUMINUM ALLOY HARDWARE. BOLT HEADS ARE RECESSED IN BODY TO PERMIT ONE WRENCH INSTALLATION.

UNIQUE GROOVE DESIGN PROVIDES MAXIMUM WRAP AROUND AND CREATES WIPING ACTION WHICH ASSISTS IN REMOVAL OF OXIDE FILM ON ALL CABLES ACCOMMODATED. BELLED CABLE GROOVE ENTRANCE ELIMINATES CHAFING.

NOTES:

- MATERIAL: CAST ALUMINUM ALLOY.
- OPTIONAL HARDWARE VARIATIONS ARE AVAILABLE BY ADDING THE FOLLOWING SUFFIX TO THE CATALOG NUMBER.
GS = GALVANIZED STEEL
SS = STAINLESS STEEL
SSDN = STAINLESS STEEL BOLTS, WASHERS & SILICON BRONZE NUTS.
EXAMPLE: NNTR--A--AGS
- NOMINAL INSTALLATION TORQUE:
1/2 ALUMINUM BOLTS - 300 LB-IN [35NM]
1/2 GALVANIZED STEEL BOLTS - 480 LB-IN [55NM]
1/2 STAINLESS STEEL BOLTS - 480 LB-IN [55NM]
5/8 ALUMINUM BOLTS - 480 LB-IN [55NM]
5/8 GALVANIZED STEEL BOLTS -660 LB-IN [75NM]
5/8 STAINLESS STEEL BOLTS -660 LB-IN [75NM]

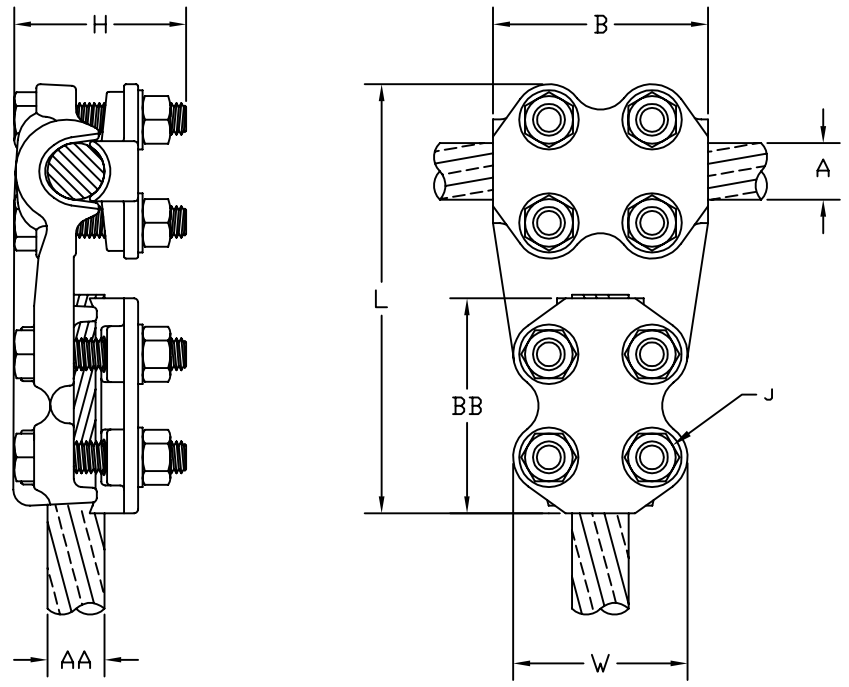


FIGURE 1

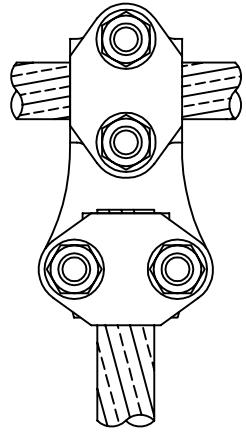


FIGURE 2

TO ORDER BURNDY® PRODUCTS CALL
UNITED STATES:
1-800-346-4175 (LONDONDERRY, NH)
CANADA:
1-800-361-6975 (QUEBEC)
1-800-387-6487 (ALL OTHER PROVINCES)
FOR PRODUCT INFO: <http://www.burndy.com>

| TEE CONNECTOR | |
|-------------------------------|-------------|
| ITEM NO: N/A | |
| CAT NO: NNTR--A--A (TABLE) | |
| SCALE: 1/1 | |
| DRAWN BY: P LAPDNIUS 6/6/05 | |
| CHECKER: R LAVOIE 6/16/05 | |
| DSN APPVL: R LAVOIE 6/16/05 | |
| MFG APPVL: -- | |
| QC APPVL: C ACKERMAN 7/5/05 | |
| MKT APPVL: D HAMILTON 7/20/05 | |
| PROJ FAM: -- | |
| PROJECT #: -- | |
| DOCUMENT TYPE: Sales | |
| REL LEVEL: AutoCAD | |
| DRAWING NO | SA040139-01 |
| REV | D |
| SIZE | D |
| SHEET 1 OF 2 | |



| CATALOG NUMBER | FIG. NO. | CABLE RANGE RUN 'A' | | | | CABLE RANGE TAP 'AA' | | | | DIMENSIONS IN INCHES | | | | | |
|----------------|----------|---------------------|------------|------------------------|------------------------|----------------------|------------|------------------------|------------------------|----------------------|-------|---------|--------|---------|--------|
| | | ALUM. OR CU. | | ACSR | | ALUM. OR CU. | | ACSR | | B | BB | H | J | L | W |
| | | MIN. | MAX. | MIN. | MAX. | MIN. | MAX. | MIN. | MAX. | | | | | | |
| NNTR46A25A | 2 | 1250 kcmil | 1600 kcmil | 1113 kcmil (54/19 STR) | 1431 kcmil (45/7 STR) | #4 STR | 1/0 STR | #4 (6/1 STR) | 1/0 (6/1 STR) | 1-7/8 | 1-7/8 | 3-7/16 | 1/2-13 | 5-1/2 | 2-5/16 |
| NNTR46A29A | 1 | 1250 kcmil | 1600 kcmil | 1113 kcmil (54/19 STR) | 1431 kcmil (45/7 STR) | 1/0 STR | 250 kcmil | 1/0 (6/1 STR) | 4/0 (6/1 STR) | 3-3/4 | 2-3/4 | 3-7/16 | 1/2-13 | 5-7/8 | 2-5/8 |
| NNTR46A32A | 1 | 1250 kcmil | 1600 kcmil | 1113 kcmil (54/19 STR) | 1431 kcmil (45/7 STR) | 250 kcmil | 400 kcmil | 4/0 (6/1 STR) | 397.5 kcmil (18/1 STR) | 3-3/4 | 3 | 3-7/16 | 1/2-13 | 5-11/16 | 2-5/8 |
| NNTR46A36A | 1 | 1250 kcmil | 1600 kcmil | 1113 kcmil (54/19 STR) | 1431 kcmil (45/7 STR) | 350 kcmil | 600 kcmil | 336.4 kcmil (18/1 STR) | 477 kcmil (30/7 STR) | 3-3/4 | 3-1/4 | 3-7/16 | 1/2-13 | 6-15/16 | 2-3/4 |
| NNTR46A42A | 1 | 1250 kcmil | 1600 kcmil | 1113 kcmil (54/19 STR) | 1431 kcmil (45/7 STR) | 600 kcmil | 900 kcmil | 477 kcmil (30/7 STR) | 795 kcmil (54/7 STR) | 3-3/4 | 3-1/2 | 3-7/16 | 1/2-13 | 7-1/4 | 3 |
| NNTR46A45A | 1 | 1250 kcmil | 1600 kcmil | 1113 kcmil (54/19 STR) | 1431 kcmil (45/7 STR) | 900 kcmil | 1250 kcmil | 715 kcmil (30/19 STR) | 1113 kcmil (54/19 STR) | 3-3/4 | 3-3/4 | 3-7/16 | 1/2-13 | 7-1/2 | 3-3/16 |
| NNTR46A46A | 1 | 1250 kcmil | 1600 kcmil | 1113 kcmil (54/19 STR) | 1431 kcmil (45/7 STR) | 1250 kcmil | 1600 kcmil | 1113 kcmil (54/19 STR) | 1431 kcmil (45/7 STR) | 4-3/8 | 4-3/8 | 3-11/16 | 5/8-11 | 8-5/16 | 3-3/4 |
| NNTR48A32A | 1 | 1500 kcmil | 2000 kcmil | 1272 kcmil (54/19 STR) | 1780 kcmil (84/19 STR) | 250 kcmil | 400 kcmil | 4/0 (6/1 STR) | 397.5 kcmil (18/1 STR) | 3-3/4 | 3 | 3-13/16 | 1/2-13 | 6-7/8 | 2-5/8 |
| NNTR48A36A | 1 | 1500 kcmil | 2000 kcmil | 1272 kcmil (54/19 STR) | 1780 kcmil (84/19 STR) | 350 kcmil | 600 kcmil | 336.4 kcmil (18/1 STR) | 477 kcmil (30/7 STR) | 3-3/4 | 3-1/4 | 3-13/16 | 1/2-13 | 7-3/16 | 2-3/4 |
| NNTR48A42A | 1 | 1500 kcmil | 2000 kcmil | 1272 kcmil (54/19 STR) | 1780 kcmil (84/19 STR) | 600 kcmil | 900 kcmil | 477 kcmil (30/7 STR) | 795 kcmil (54/7 STR) | 3-3/4 | 3-1/2 | 3-13/16 | 1/2-13 | 7-3/8 | 3 |
| NNTR48A45A | 1 | 1500 kcmil | 2000 kcmil | 1272 kcmil (54/19 STR) | 1780 kcmil (84/19 STR) | 900 kcmil | 1250 kcmil | 715 kcmil (30/19 STR) | 1113 kcmil (54/19 STR) | 3-3/4 | 3-3/4 | 3-13/16 | 1/2-13 | 7-11/16 | 3-3/16 |
| NNTR48A46A | 1 | 1500 kcmil | 2000 kcmil | 1272 kcmil (54/19 STR) | 1780 kcmil (84/19 STR) | 1250 kcmil | 1600 kcmil | 1113 kcmil (54/19 STR) | 1431 kcmil (45/7 STR) | 4-1/2 | 4-3/8 | 3-13/16 | 5/8-11 | 8-1/2 | 3-3/4 |
| NNTR48A48A | 1 | 1500 kcmil | 2000 kcmil | 1272 kcmil (54/19 STR) | 1780 kcmil (84/19 STR) | 1500 kcmil | 2000 kcmil | 1272 kcmil (54/19 STR) | 1780 kcmil (84/19 STR) | 4-1/2 | 4-1/2 | 3-13/16 | 5/8-11 | 8-5/8 | 3-7/8 |
| NNTR486A29A | 1 | 2000 kcmil | 2500 kcmil | --- | --- | 1/0 STR | 250 kcmil | 1/0 (6/1 STR) | 4/0 (6/1 STR) | 3-3/4 | 2-3/4 | 3-7/8 | 1/2-13 | 7-3/32 | 2-9/32 |
| NNTR486A36A | 1 | 2000 kcmil | 2500 kcmil | --- | --- | 350 kcmil | 600 kcmil | 336.4 kcmil (18/1 STR) | 477 kcmil (30/7 STR) | 3-3/4 | 3-1/4 | 3-7/8 | 1/2-13 | 7-19/32 | 2-3/4 |
| NNTR486A486A | 1 | 2000 kcmil | 2500 kcmil | --- | --- | 2000 kcmil | 2500 kcmil | --- | --- | 4-5/8 | 4-5/8 | 3-7/8 | 5/8-11 | 9" | 4-1/16 |
| NNTR495A495A | 1 | 2500 kcmil | 3500 kcmil | --- | --- | 2500 kcmil | 3500 kcmil | --- | --- | 5-1/4 | 5-1/4 | 4-5/8 | 5/8-11 | 10" | 4-7/16 |

| REV. | DATE | DESCRIPTION | ECO | BY | C'K'D. |
|------|----------|-------------------------|-------|-----|--------|
| D | 03/17/15 | ADD SSDN HARDWARE NOTES | 39315 | SVY | NJ |

AN UNPLATED CLAMP-TYPE TEE CONNECTOR WHICH ACCOMMODATES A BROAD RANGE OF ALUM., ACSR OR COPPER CABLE. CONTAINS HIGH STRENGTH ALUMINUM ALLOY HARDWARE. BOLT HEADS ARE RECESSED IN BODY TO PERMIT ONE WRENCH INSTALLATION.

UNIQUE GROOVE DESIGN PROVIDES MAXIMUM WRAP AROUND AND CREATES WIPING ACTION WHICH ASSISTS IN REMOVAL OF OXIDE FILM ON ALL CABLES ACCOMMODATED. BELLED CABLE GROOVE ENTRANCE ELIMINATES CHAFING.

NOTES:

- MATERIAL: CAST ALUMINUM ALLOY.
- OPTIONAL HARDWARE VARIATIONS ARE AVAILABLE BY ADDING THE FOLLOWING SUFFIX TO THE CATALOG NUMBER.
GS = GALVANIZED STEEL
SS = STAINLESS STEEL
SSDN = STAINLESS STEEL BOLTS, WASHERS & SILICON BRONZE NUTS.
EXAMPLE: NNTR- -A- -AGS
- NOMINAL INSTALLATION TORQUE:
1/2 ALUMINUM BOLTS - 300 LB-IN [35NM]
1/2 GALVANIZED STEEL BOLTS - 480 LB-IN [55NM]
1/2 STAINLESS STEEL BOLTS - 480 LB-IN [55NM]
5/8 ALUMINUM BOLTS - 480 LB-IN [55NM]
5/8 GALVANIZED STEEL BOLTS - 660 LB-IN [75NM]
5/8 STAINLESS STEEL BOLTS - 660 LB-IN [75NM]

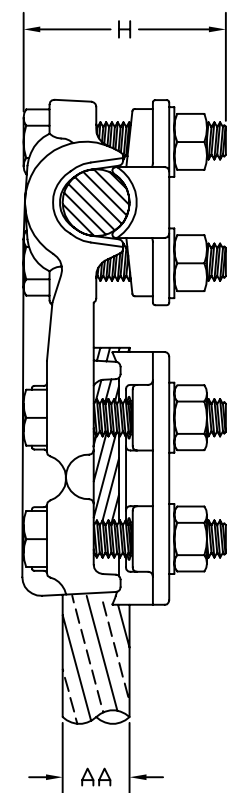


FIGURE 1

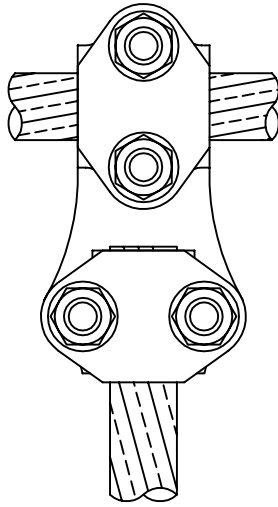
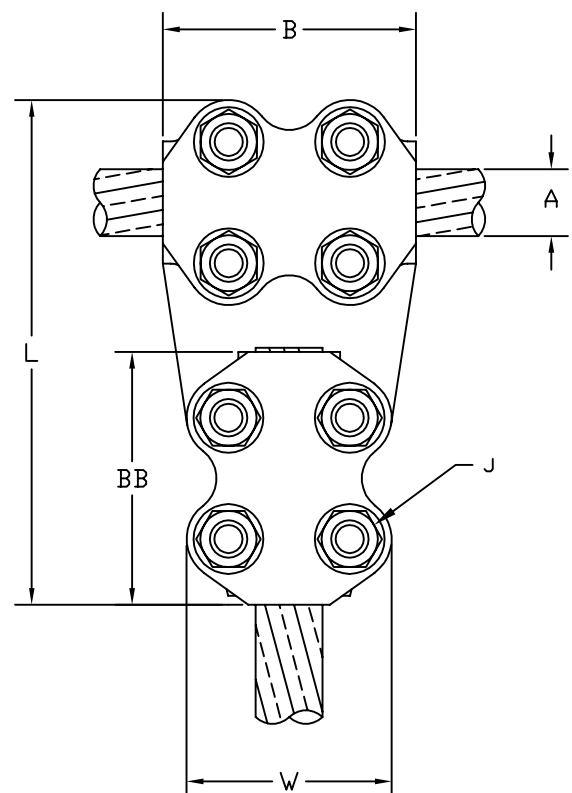


FIGURE 2

| | | | |
|---|--|-------------------------------|--|
| TO ORDER BURNDY® PRODUCTS CALL | | TEE CONNECTOR | |
| UNITED STATES: | | ITEM NO: N/A | |
| 1-800-346-4175 (LONDONDERRY, NH) | | CAT NO: NNTR--A--A (TABLE) | |
| CANADA: | | SCALE: 1/1 | |
| 1-800-361-6975 (QUEBEC) | | DRAWN BY: P LAPONIUS 6/6/05 | |
| 1-800-387-6487 (ALL OTHER PROVINCES) | | CHECKER: R LAVOIE 6/6/05 | |
| FOR PRODUCT INFO: http://www.burndy.com | | DSN APPVL: R LAVOIE 6/6/05 | |
| | | MFG APPVL: -- | |
| | | QC APPVL: C ACKERMAN 7/5/05 | |
| | | MKT APPVL: D HAMILTON 7/20/05 | |
| | | PROD FAM: -- | |
| | | PROJECT #: -- | |
| | | DOCUMENT TYPE: Sales | |
| | | REL LEVEL: AutoCAD | |
| | | DRAWING NO | |
| | | SA040139-01 | |
| | | REV | |
| | | D | |
| | | SHEET 2 OF 2 | |

